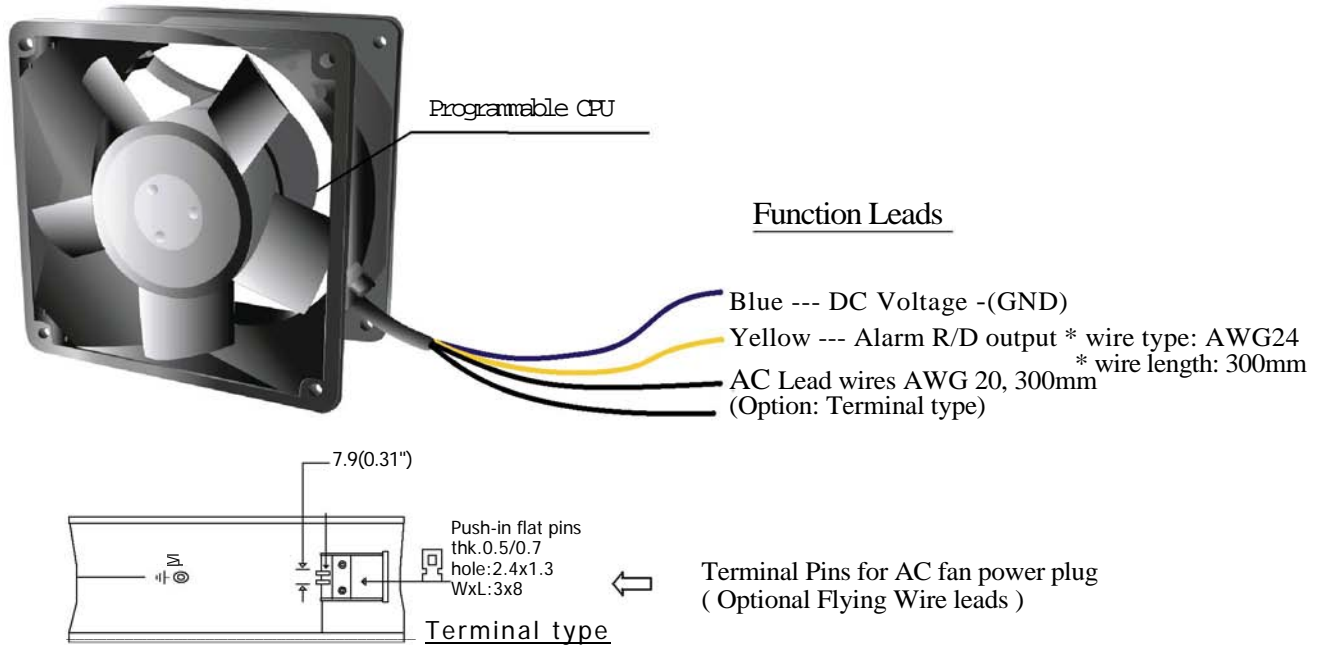


# TEI AC Alarm Fan Programmable CPU AC Power Alarm Output Characteristic & Wiring Diagram

## 1. Outlet TEI AC Alarm Fan



## 2. Programmable CPU AC Power Alarm output signals (R/D)

Output signal : Ic 20mA Max.  
Vcc 28VDC Max.

- \* Action Entry : **High Speed** : Abnormal ( <2000+- 200RPM ) Slow, High  
Normal ( >2000+- 200RPM ) Running, Low
- Medium Speed** : Abnormal ( <1500+- 200RPM ) Slow, High  
Normal ( >1500+- 200RPM ) Running, Low
- Low Speed** : Abnormal ( <900+- 200RPM ) Slow, High  
Normal ( >900+- 200RPM ) Running, Low

(We can follow the fan abnormal speed alarm as customer request)

We can follow the fan abnormal speed alarm as customer request.

- \* Logic Level : Low on Pass. High on Fail ( Standard open collector type)  
Low on Fail. High on Pass , customer available on request

- \* Fan abnormal speed alarm, motor slowing down, alarm output, open collector or TTL available

### Waveform

